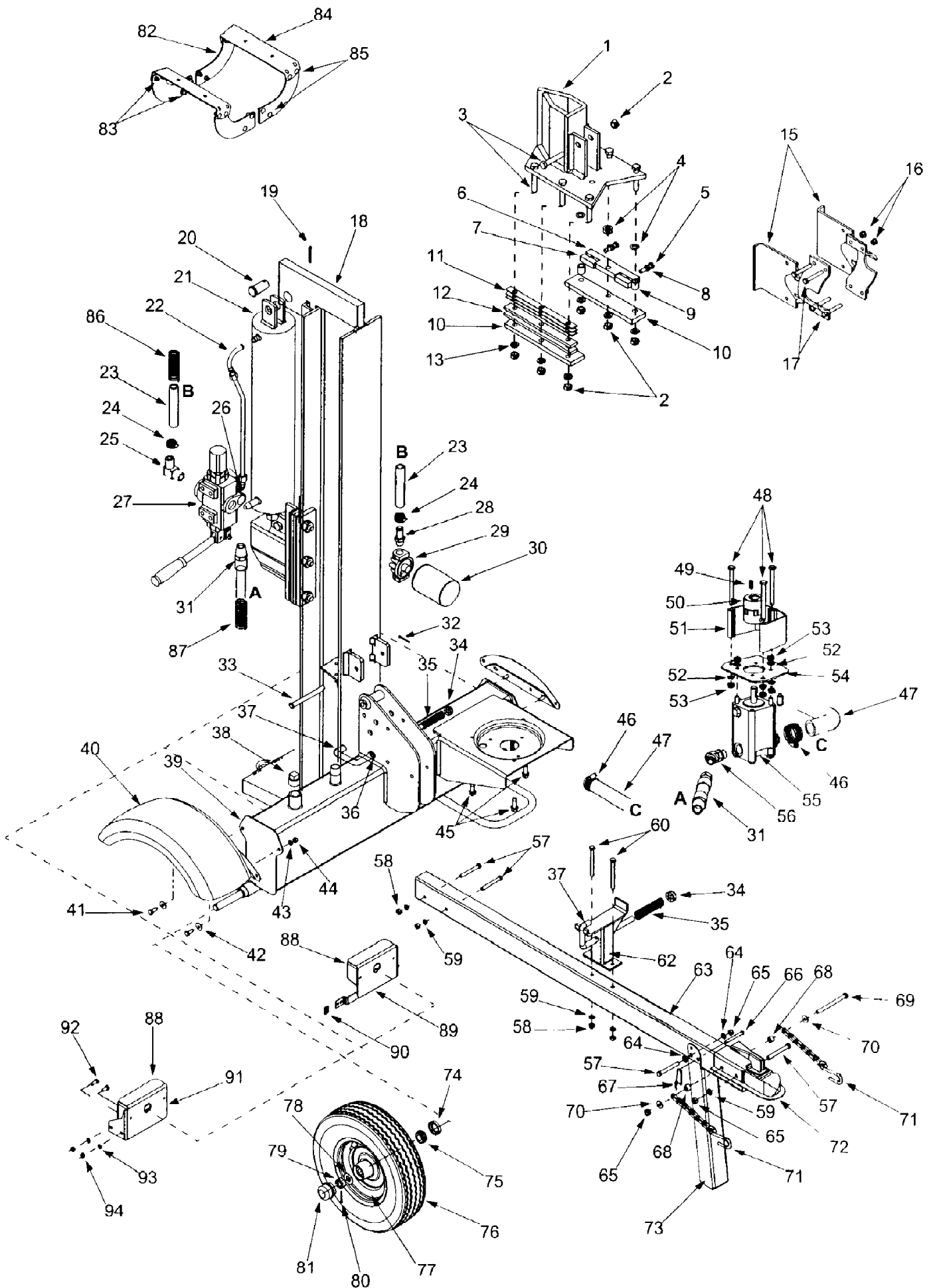


24AA570H190 LS-27T 27-Ton (2001)
Log Splitter Assembly



24AA570H190 LS-27T 27-Ton (2001)
Log Splitter Assembly

Page 2 of 3

Ref #	Part Number	Qty	S/P/F	Description
1	781-03238	1		Wedge Assembly
2	712-0239	1	S	Lock Nut 1/2-20
3	710-1018	1	/P	Hex Cap Screw 1/2-20 x 2.75
4	736-0192	1	S	Flat Washer .531 ID x .93 OD
5	710-0459A	1	/P	Hex Cap Screw 3/8-24 x 1.5
6	781-0356	1		Floating Gib Plate
7	781-0351	1	/P	Adjustable Gib
8	712-0711	1	/P	Hex Jam Nut 3/8-24
9	750-0750	1	S	Spacer
10	781-0537	1		Back Bracket
11	781-0352A	1	S	Adjustable Gib Shim
12	781-0350A	1	/P	Fixed Gib
13	736-0921	1	S	Lock Washer 1/2
?14	712-0239	1	S	Lock Nut 1/2-20
15	781-0168A	1	/P	Stripper Side
16	712-0130	1	/P	Lock Nut 3/8-16
17	710-0859	1	/P	Hex Cap Screw 3/8-16 x 2 5
18	681-0127	1	/P	Beam Assembly
19	714-0211	1		Cotter Pin
20	711-1135	1		Clevis Pin
21	718-0306	1	S	Hydraulic Cylinder
22	727-0471	1		Hydraulic Tube
23	727-0443	1		Return Hose 3/4" ID x 44" Lg
24	726-0132	1	/P	Hose Clamp 5/8"
25	737-0153	1		Return Elbow
26	737-0192	1	/P	90 Degree Solid Adapter
27	718-0481	1	S	Control Valve
28	727-0235	1		3/4" Hose Adapter
29	737-0316	1	/P	Filter Housing
30	723-0405	1	/P	Oil Filter
31	727-0502	1		High Pressure Hydraulic Hose
32	714-0470	1	S	Cotter Pin
33	738-0805	1		Hinge Pin 1/2 x 4.8"
34	726-0214	1	/P	Push Cap
35	732-0583	1		Compression Spring 4"
36	736-0116	1	S	Flat Washer .635 ID x .93 OD
37	781-0690	1		Locking Rod
38	737-0236	1	S	Pipe Plug
39	681-0176	1		Frame Assembly 4.0 Gal
40	681-0138	1		Fender Assembly
41	710-0157	1	/P	Hex Cap Screw 5/16-24 x .75
42	736-0159	1	S	Washer 5/16
43	736-0119	1	S	Lock Washer 5/16
44	712-0123	1	/P	Hex Nut 5/16-24
45	710-0654A	1	/P	Hex Washer Screw 3/8-16 x 1.0
46	726-0174	1		Hose Clamp
47	735-0256	1		Suction Hose
48	710-1338	1	/P	Hex Screw 5/16-24 x 3.25
49	714-0122	1	S	Square Key 3/16" x .75
50	718-0686	1	S	Flexible Coupling
51	719-0353	1		Coupling Shield
52	736-0119	1	S	Lock Washer 5/16" ID
53	712-0123	1	/P	Hex Nut 5/16-24

24AA570H190 LS-27T 27-Ton (2001)
Log Splitter Assembly

Page 3 of 3

Ref #	Part Number	Qty	S/P/F	Description
54	781-0097	1	S	Rear Coupling Support Bracket
55	718-0683	1	S	Gear Pump (11gpm)
56	737-0329	1		45 Degree Elbow
57	710-0521	1	/P	Hex Bolt 3/8-16 x 3"
58	712-0798	1	/P	Hex Nut 3/8-16
59	736-0169	1	S	L-Washer 3/8"
60	710-0411	1	/P	Hex Bolt 3/8-16 x 4"
62	681-0110	1	S	Support Beam Assembly
63	781-0680A	1	/P	Tube
64	736-0185	1	S	Flat Washer 3/8
65	712-0375	1	/P	Hex Lock Nut 3/8-16
66	711-0813	1	S	Clevis Pin 5/16 x 2.5"
67	732-0194	1		Spring Pin
68	750-0497	1		Spacer 3/8" ID x .625" OD
69	710-0944	1	/P	Hex Bolt 3/8-16 x 4"
70	736-0262	1	/P	Flat Washer 3/8" ID x .87" OD
71	713-0433	1	S	Chain
72	727-0311	1		Hitch Coupler
73	781-0162	1		Jack Stand
74	721-0168	1	S	Bearing Seal
75	741-0987	1	S	Bearing Cone
76	634-0186	1	/P	Wheel Assembly
77	634-0188	1	/P	Rim Assembly (Oyster Gray)
78	736-0351	1	S	Flat Washer .76" ID x 1.5" OD
79	712-0359	1	/P	Slotted Nut 3/4-16
80	714-0162	1	/P	Cotter Pin 5/32" x 1-1/4"
81	734-0873	1		Hub Cap
82	781-0686	1	S	Log Tray Bracket
83	712-0431	1	S	Flanged Lock Nut 3/8-16
84	781-0682	1	S	Log Tray
85	710-3097	1		Carriage Bolt 3/8-16 x 1.0
86	781-0526	1		Hose Guard
87	781-0538	1	S	Hose Guard
88	625-0009	1		Taillight Assembly
89	681-0074	1	S	Light Bracket-LH
90	712-0292	1	/P	Speed Clip
91	781-0624	1	S	Light Bracket-RH
92	710-0157	1	/P	Hex Cap Screw 5/16-24 x .75
93	736-0119	1	S	Lock Washer 5/16
94	712-0123	1	/P	Hex Nut 5/16-24